



## CyberCogs CC-VCU100 Vehicle Control Unit Product Specifications

### HARDWARE SPECIFICATIONS

- **Dimensions** 152w x 127d x 38h(mm)
- **Power:** 6-36VDC
- **Communication Ports:**
  - 1 LIN port
  - 2 CAN bus ports
  - 1 Ethernet Port
  - 1 PSI 5 port
- **IO Ports:**
  - Discrete inputs
  - Analog inputs, 12 bit resolution
  - Sensor power
  - Discrete Outputs:
    - Low Side Drive (LSD) up to 3 Amps
    - PWM outputs
- **Processor:** (Lock step) Cortex M7 running at 240Mhz with FPU and DSP
- **Memory:**
  - 8 Mbytes flash with ECC
  - 1.15Mbytes of RAM with ECC
- **Package:** ABS black plastic UL 94V0
- **Connector :** 80 Pin Molex Right angle CMC Header
- **Protection Rating:** IP68/IP69
- **Temperature range:** -40 to 95C

### ADDITIONAL FEATURES

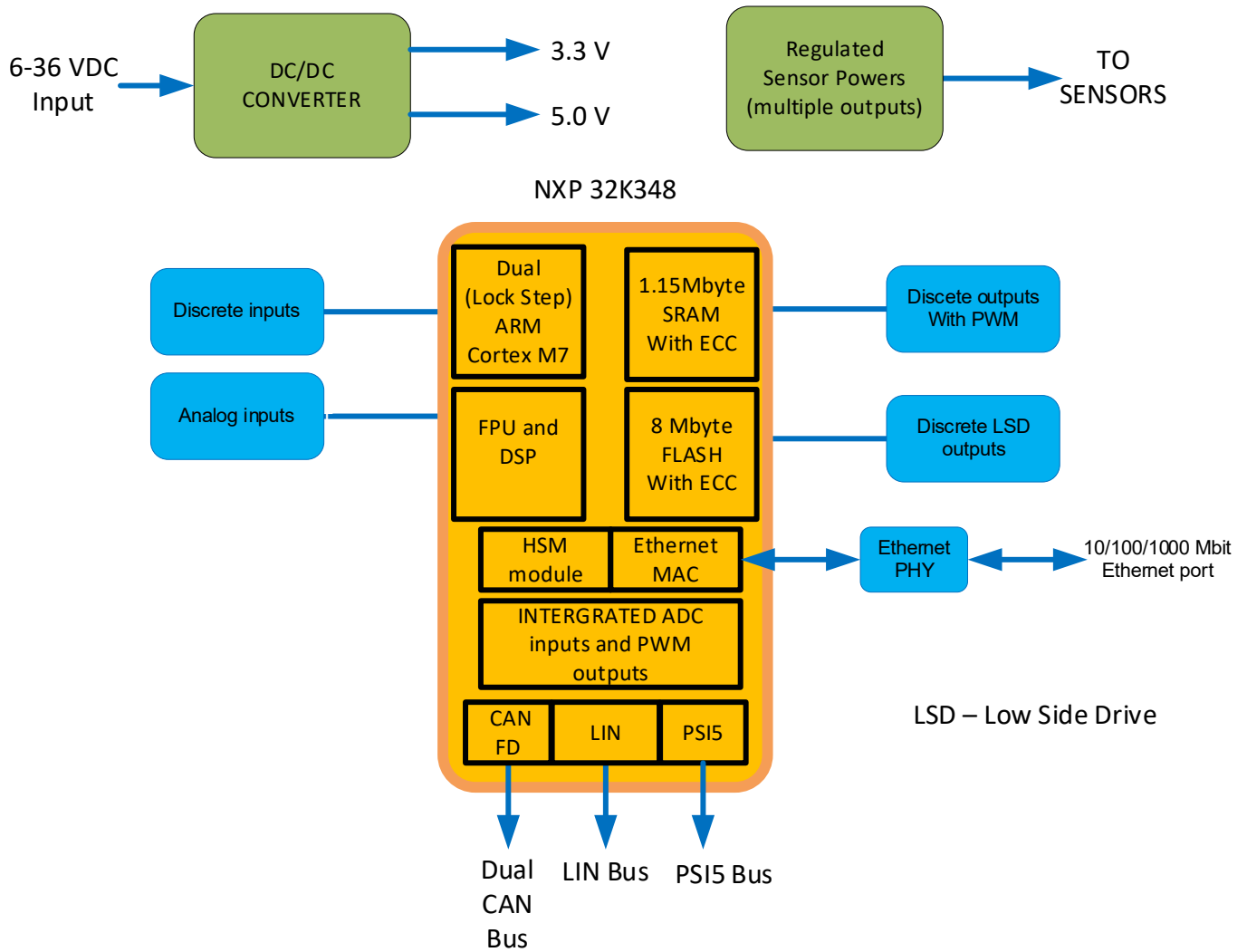
- ISO26262 , ASIL-D compliant
- ISO 15118-2 and ISO 15118-20 protocol
- USA designed and manufactured
- Integrated HSM
- Secure boot
- Secure internal key storage for signing, verification, and encryption in secure module subcomponent

### SOFTWARE FEATURES

- Adaptable Software with modular design for easy integration, performing all Vehicle Control functions
- ISS FlexHSM pre-ported through partnership with ISS
- ISS FlexUpdate pre-ported through partnership with ISS
- ISS DLM Trust for provisioning through partnership with ISS
- Secure communication available through DLM Trust (available through partnership with ISS)
- Software developed to Autosar coding guidelines

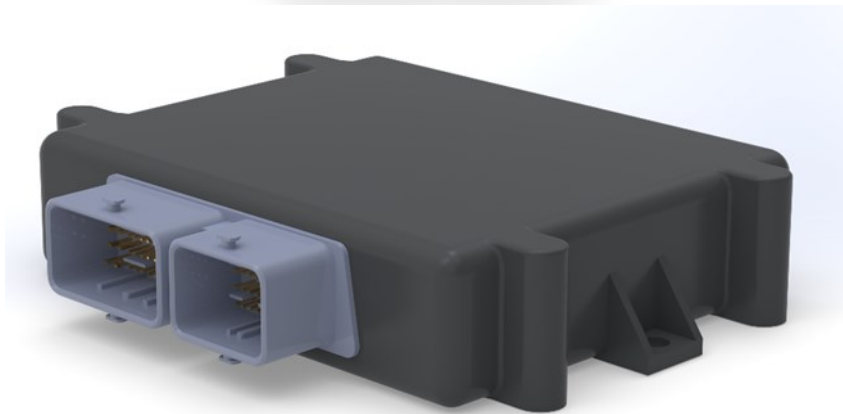
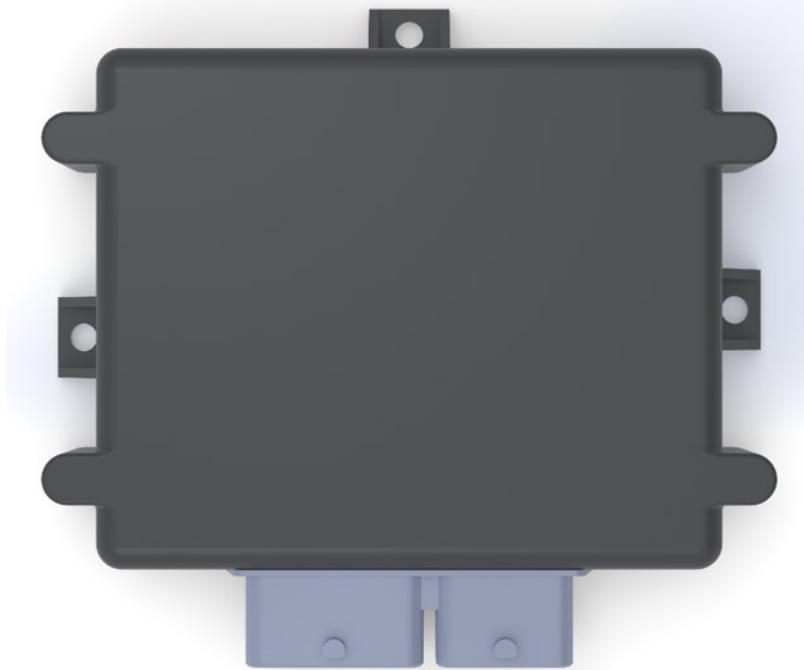
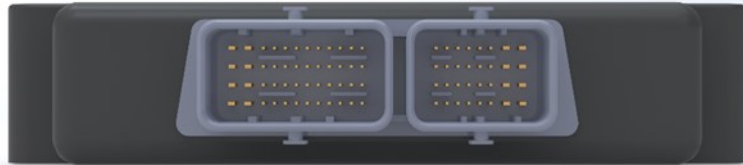


## CyberCogs CC-VCU100 Block Diagram





## CyberCogs CC-VCU100 Depiction





## CyberCogs CC-VCU100 Dimensional Drawings

