



## CyberCogs CC-IKM100 Key Module and CC-FOB100 combination

### HARDWARE SPECIFICATIONS (CC-IKM100)

- **Dimensions:** 51wx 51d x 65h (mm)
- **Power:** 6-36VDC
- **Communication Ports:** 1 LIN port
- Works with **CC-SGM100** secure gateway module for immobilizer
- **RF Frequencies:** programmable from 114– 138Khz
- **RF Modulation:** ASK, BPSK
- **Processor:** 8 Bit AVR CPU
- **Memory:**
  - 512 bytes RAM
  - 8Kbytes of FLASH
- **Mounting:** Dash mount with panel
- **Connector :** 3 pin connector , Molex, P/N: 5031590302
- **Temperature range:** -40 to 85C

### ADDITIONAL FEATURES

- USA designed and manufactured
- Rugged Latch/ Unlatch mechanical key secure
- ISO26262, ASIL-A or ASIL-B compliant
- Low power

### SOFTWARE FEATURES

- Adaptable Software with modular design for easy integration



## CyberCogs CC-IKM100 Key Module and CC-FOB100 combination (continued)

### HARDWARE SPECIFICATIONS(CC-FOB100)

- **Dimensions:** 35w x 64d x 14h (mm)
- **Power:** CR2032 Coin battery
- **Bayonet battery door for easy battery change**
- **Battery life:** 3+ years
- **RF transmit Frequencies:**
  - UHF bands:**
    - 433Mhz (425Mhz to 480Mhz)
    - 315Mhz (287Mhz to 320Mhz)
  - LF bands:**
    - 125khz (100 to 150Khz)
- **RF transmit Modulation:**
  - ASK, FSK, GFSK @433 Mhz
  - OOK @125Khz
- **Data rate:**
  - Up to 7.8Kbps @ 125Khz
  - Up to 80Kbps @ 433Mhz
- **Processor:** AVR processor
- **Memory:**
  - 32Kbytes of FLASH
  - Secure EEPROM storage

- **Package:** ABS plastic UL 94V0
- **Buttons :**
  - 5 membrane buttons
  - Rated at 5 million cycles
  - 12 ounces of actuation force with tactile feedback

#### Button functions:

- Lock
- Unlock
- Front Trunk
- Remote start, accessories on
- Panic

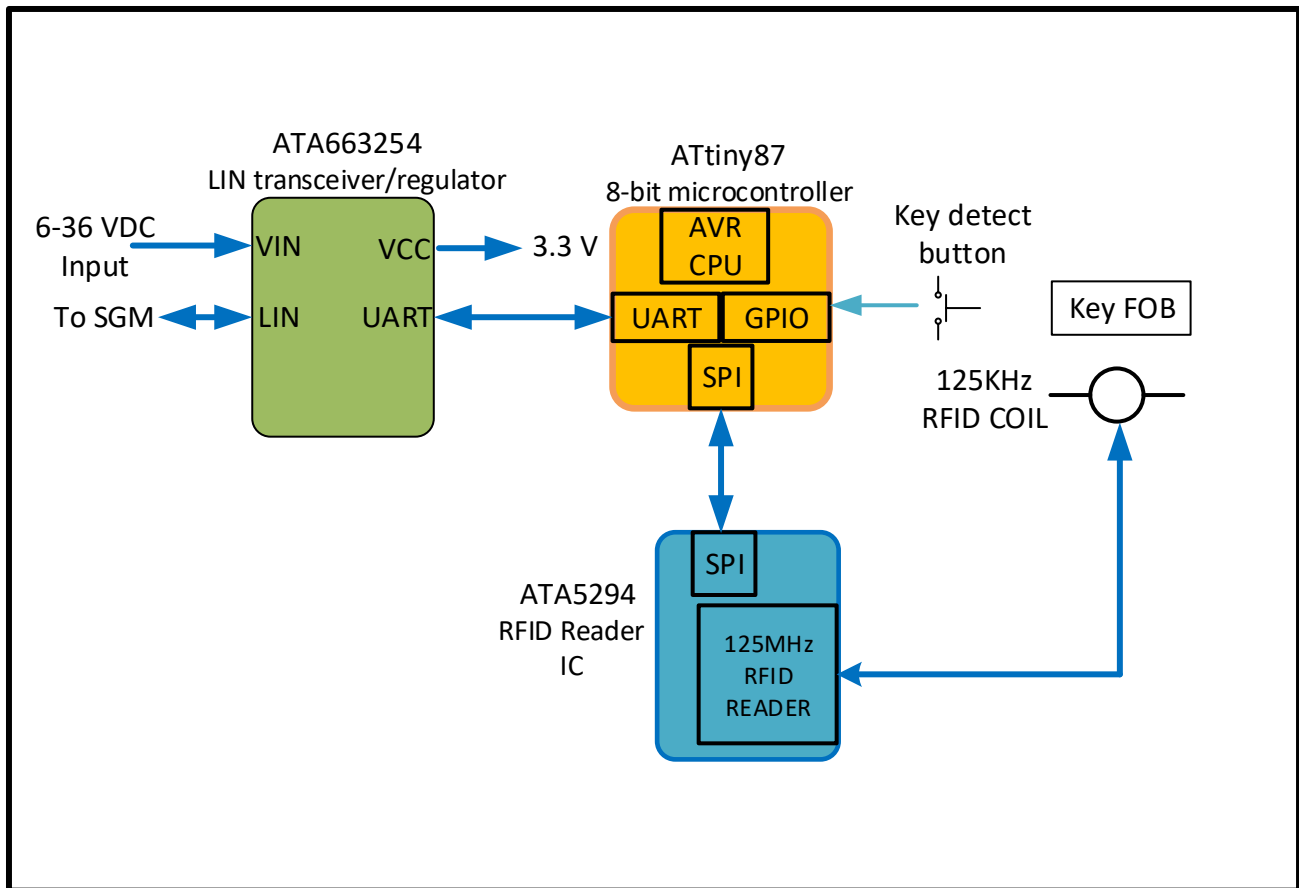
- **Temperature range:** -40 to 70C

### ADDITIONAL FEATURES

- USA designed and manufactured
- Integrated Security
- Secure internal key storage for signing, verification, and encryption in secure module subcomponent

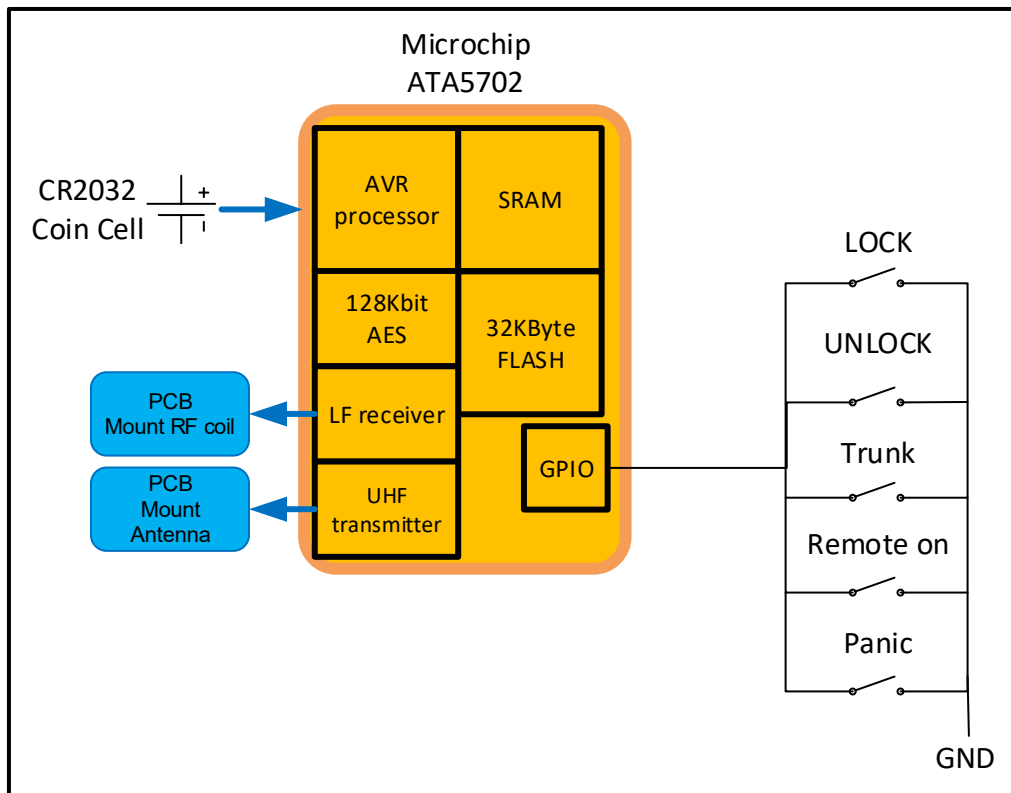


## CyberCogs CC-IKM100 Block Diagram



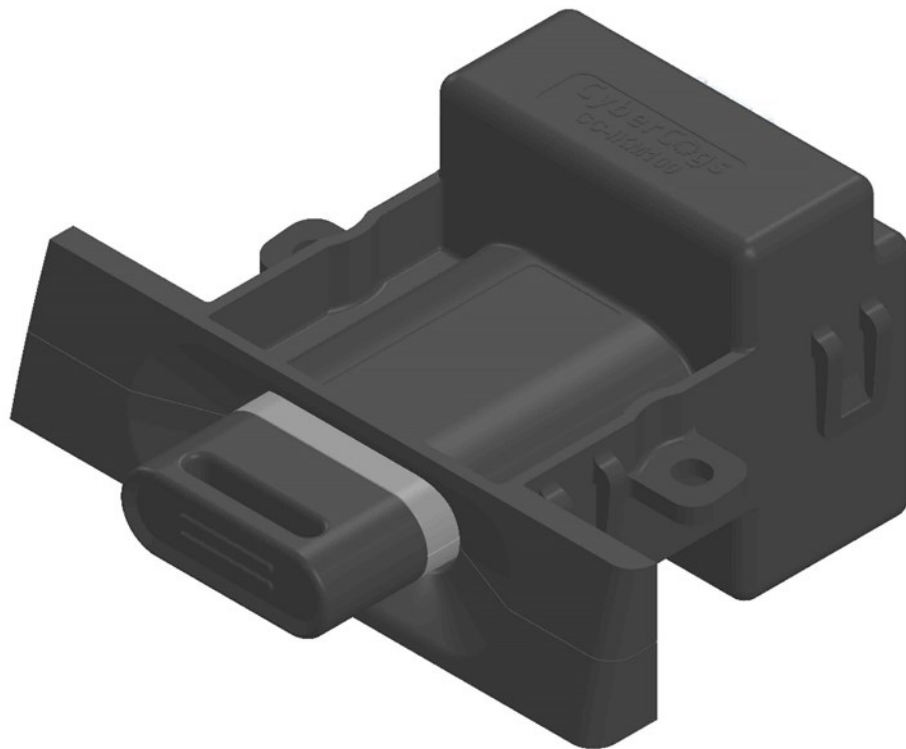


## CyberCogs CC-FOB100 Block diagram





## CyberCogs CC-IKM100 Depiction



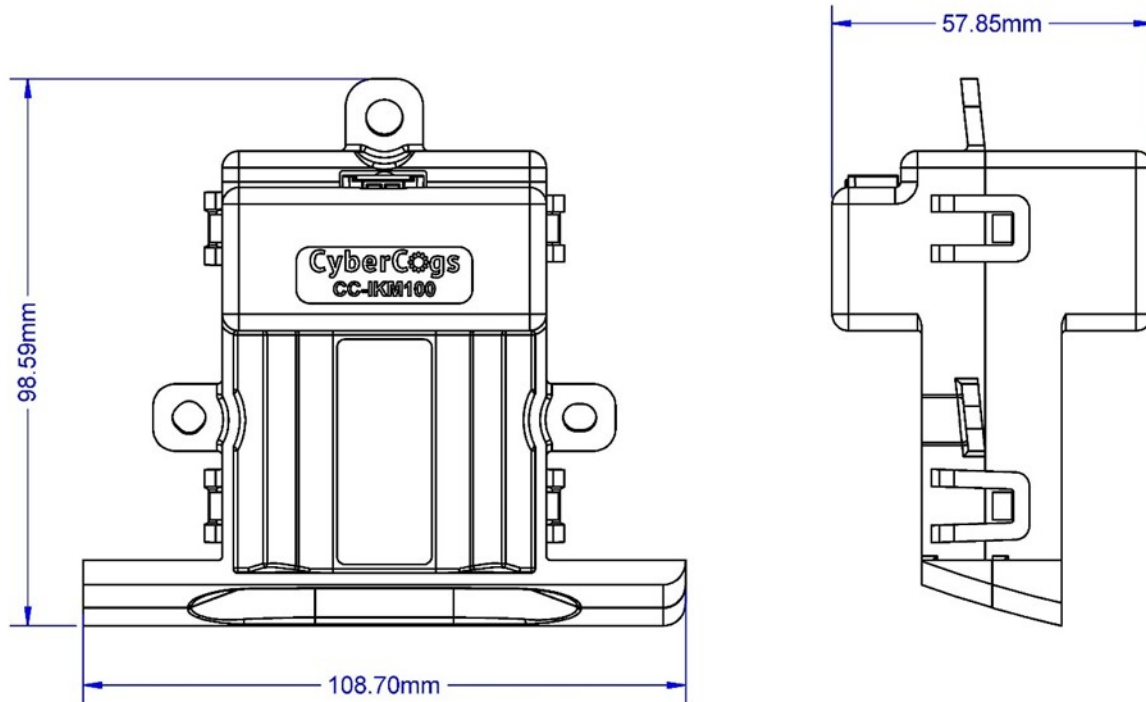


## CyberCogs CC-FOB100 Depiction





## CyberCogs CC-IKM100 Dimensional Drawings





## CyberCogs CC-FOB100 Dimensional Drawings

